



ADVANCED PHOTONICS

ADVANCED LOW-PROFILE SHROUD-READY HELMET MOUNT

GR8™



Introducing a revolutionary helmet mount for optical-electronic devices, specifically designed for military and law enforcement personnel. This mount is crafted with lightweight yet sturdy aluminum alloy, ensuring that it can withstand the rigors of intense combat situations.

The mount features 8-way adjustments, providing a level of versatility that surpasses its competitors. The adjustments allow for a wider range of positioning, enabling users to achieve the optimal viewing angle for their specific needs.

The design of this mount is tailored specifically to meet the needs of military and law enforcement professionals, with a sleek and low-profile aesthetic that minimizes obtrusiveness and maximizes functionality. The mount is also easy to install and detach, allowing for quick and efficient setup and removal when necessary.

Overall, this helmet mount is a game-changer for military and law enforcement personnel who require a lightweight, strong, and highly adjustable mount to support their critical missions.

KEY FEATURES

- ◆ Full Compatibility with VAS Shrouds
- ◆ Wider Ranges of Adjustments than Competitors
- ◆ 8-Position Adjustments
- ◆ Personalized Device Positioning
- ◆ Dovetail and Bayonet Brackets
- ◆ Ultra Lightweight
- ◆ Durable and Reliable
- ◆ Made in Canada and ITAR-Free



GR8™ Advanced Low-Profile Shroud-Ready Helmet Mount with PVS-31C-MOD

GR8™ Advanced Low-Profile Shroud-Ready Helmet Mount with J-Arm-AD Interface for Hands-Free Applications with Adjustable Dovetail for LUX-14™ and PVS-14 monoculars.



Designed, Developed, Manufactured by GSCI Advanced Photonics
120 WHITMORE ROAD, UNIT 20, WOODBRIDGE, ONTARIO, L4L6A5, CANADA
WWW.GSCI.NET | GSCI@GSCI.NET | +1.905.850.0990

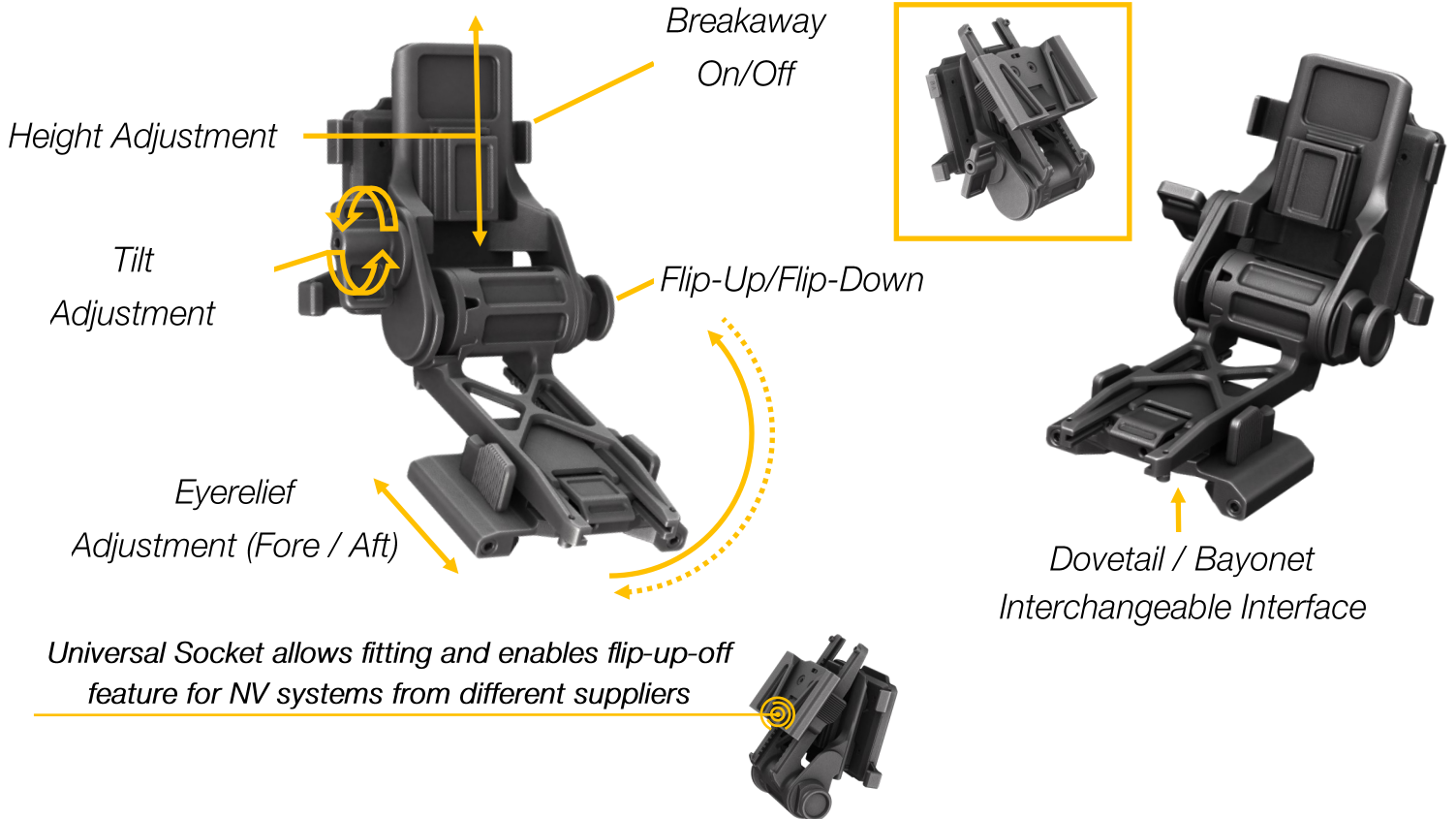
DISCLAIMER. Technical description, certain optical-electronic-mechanical features of the product shown herein and/or some of its parts/components may not precisely represent the actual device and are subject to change without prior notice by the sole discretion of General Starlight Co., Inc. Mass of the product represents measurable weight of all components this product consists of, such as optics, mechanics, and electronics. Dimensions of the product represents measurable size of the body, including all optical components attached and in fully folded position. Dimensions of additions such as mounting brackets, eyecups, objective lens covers, and/or battery extensions may vary and therefore are not listed herein. Copyright © 1992-2023 General Starlight Co., Inc. Canada. All rights reserved.



ADVANCED PHOTONICS

ADVANCED LOW-PROFILE SHROUD-READY HELMET MOUNT

GR8™



GR8™ TECHNICAL SPECIFICATIONS		MOUNTS FROM OTHER WORLD'S LEADING BRANDS
Weight	166 grams (5.85)	Up to 187 grams (6.50Z)
Dimensions	8.35cm L x 6.35cm W x 5cm H (3.29" L x 2.5" W x 1.98" H)	Avg. 10.11cm L x 6.6cm W x 6.1cm H (3.98" L x 2.60" W x 2.40" H)
Flip-Up/Down View to Stow	130° Travel	<= 130° Travel
Fore-Aft (Tilt)	0-17°	Avg. 0-15°
Height Adjustment	27mm (1.1") Total Vertical Travel	Avg. 22mm (0.9") Total Vertical Travel
Eyerelief Travel	45mm (1.8") Total Travel	Avg. 33mm (1.3") Total Travel
Auto ON/OFF	Built-In	Vary/Unknown
Breakaway	Built-In	Vary/Unknown
Universal Socket	Yes	No
Material	Aluminum 6061-T6	Aluminum/Polymer
Warranty	7-Year Warranty	1 .. 5 Years Warranty

DISCLAIMER. Technical description, certain optical-electronic-mechanical features of the product shown herein and/or some of its parts/components may not precisely represent the actual device and are subject to change without prior notice by the sole discretion of General Starlight Co., Inc. Mass of the product represents measurable weight of all components this product consists of, such as optics, mechanics, and electronics. Dimensions of the product represents measurable size of the body, including all optical components attached and in fully folded position. Dimensions of additions such as mounting brackets, eyecups, objective lens covers, and/or battery extensions may vary and therefore are not listed herein. Copyright © 1992-2023 General Starlight Co., Inc. Canada. All rights reserved.